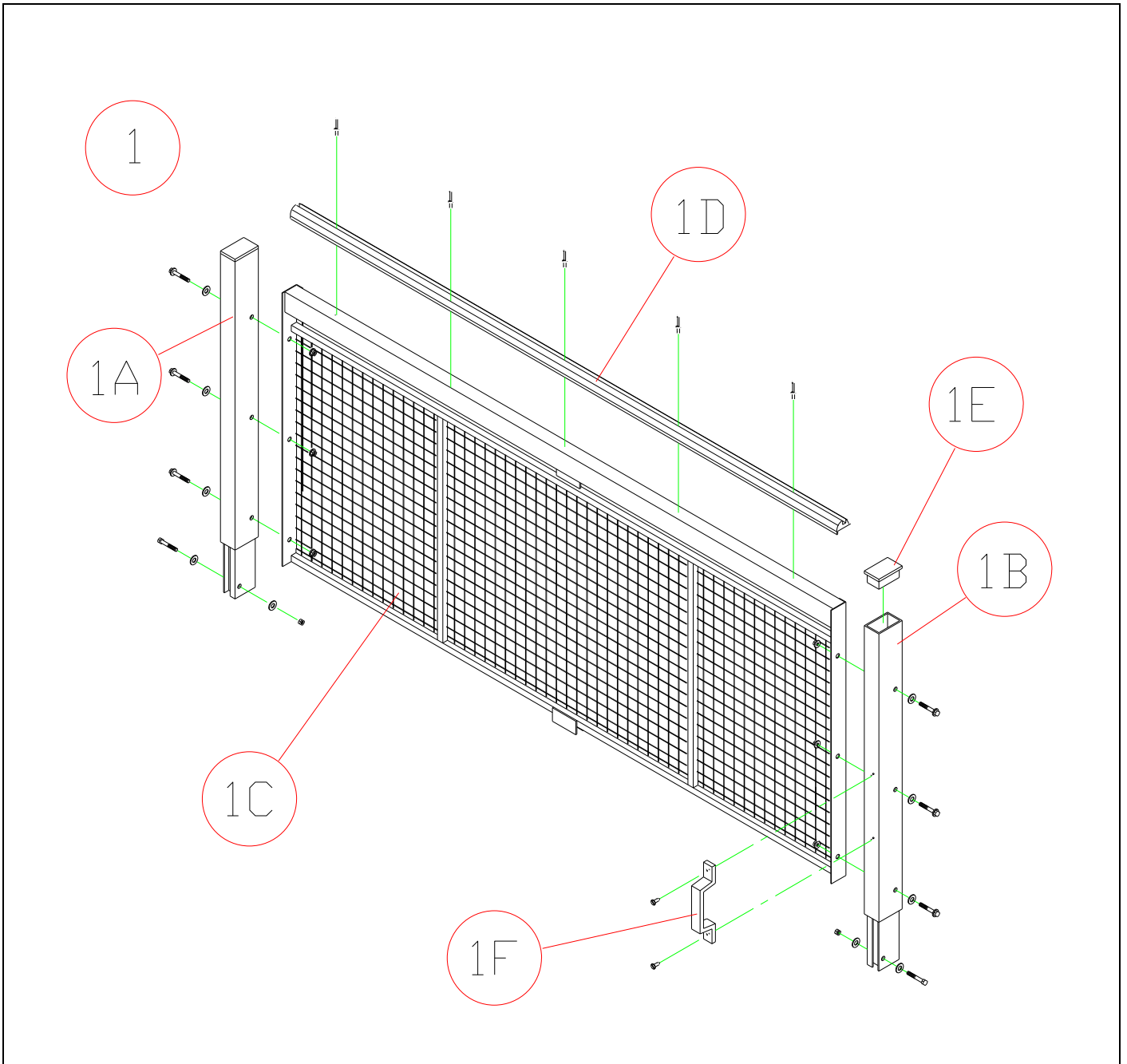
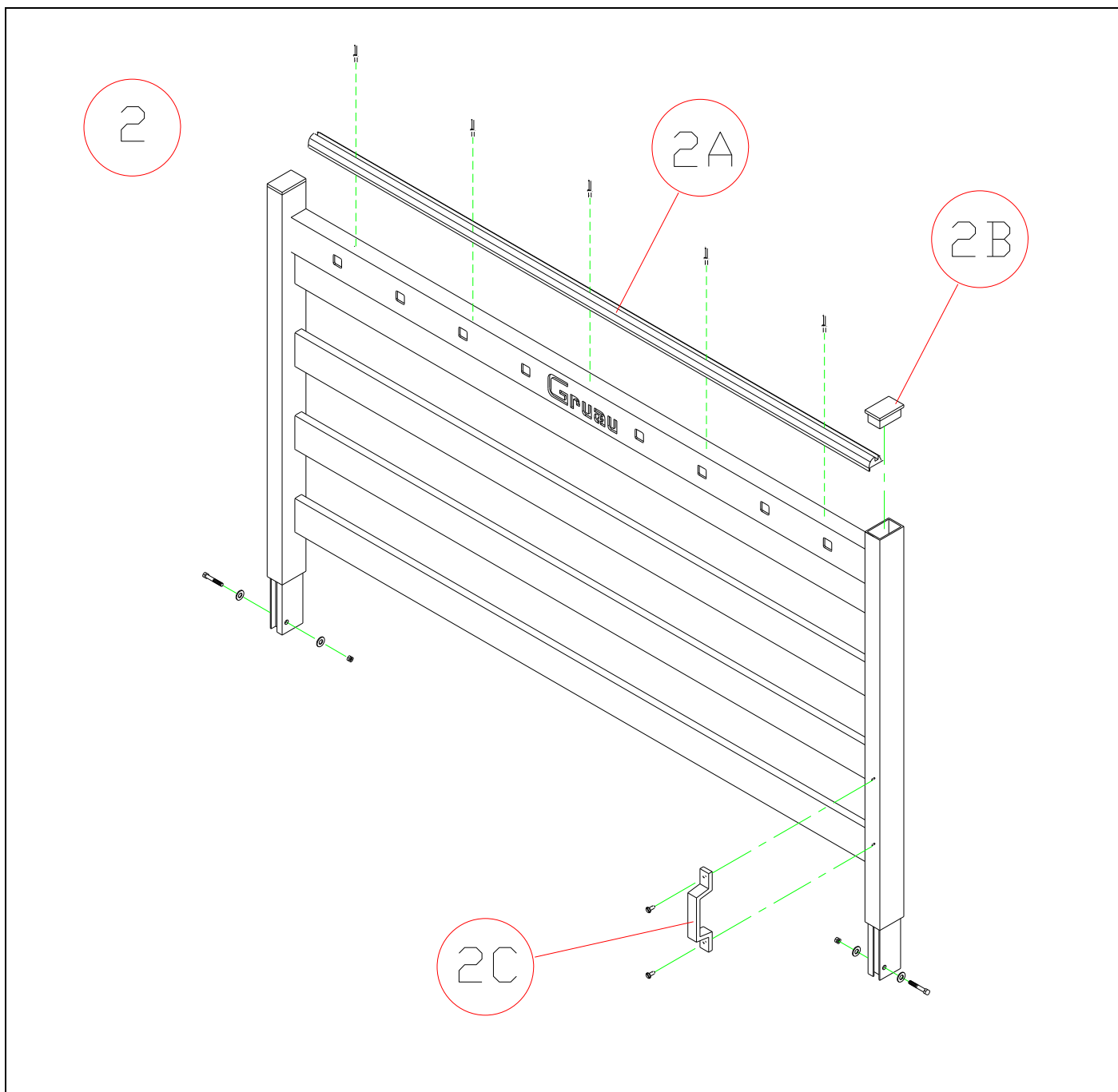
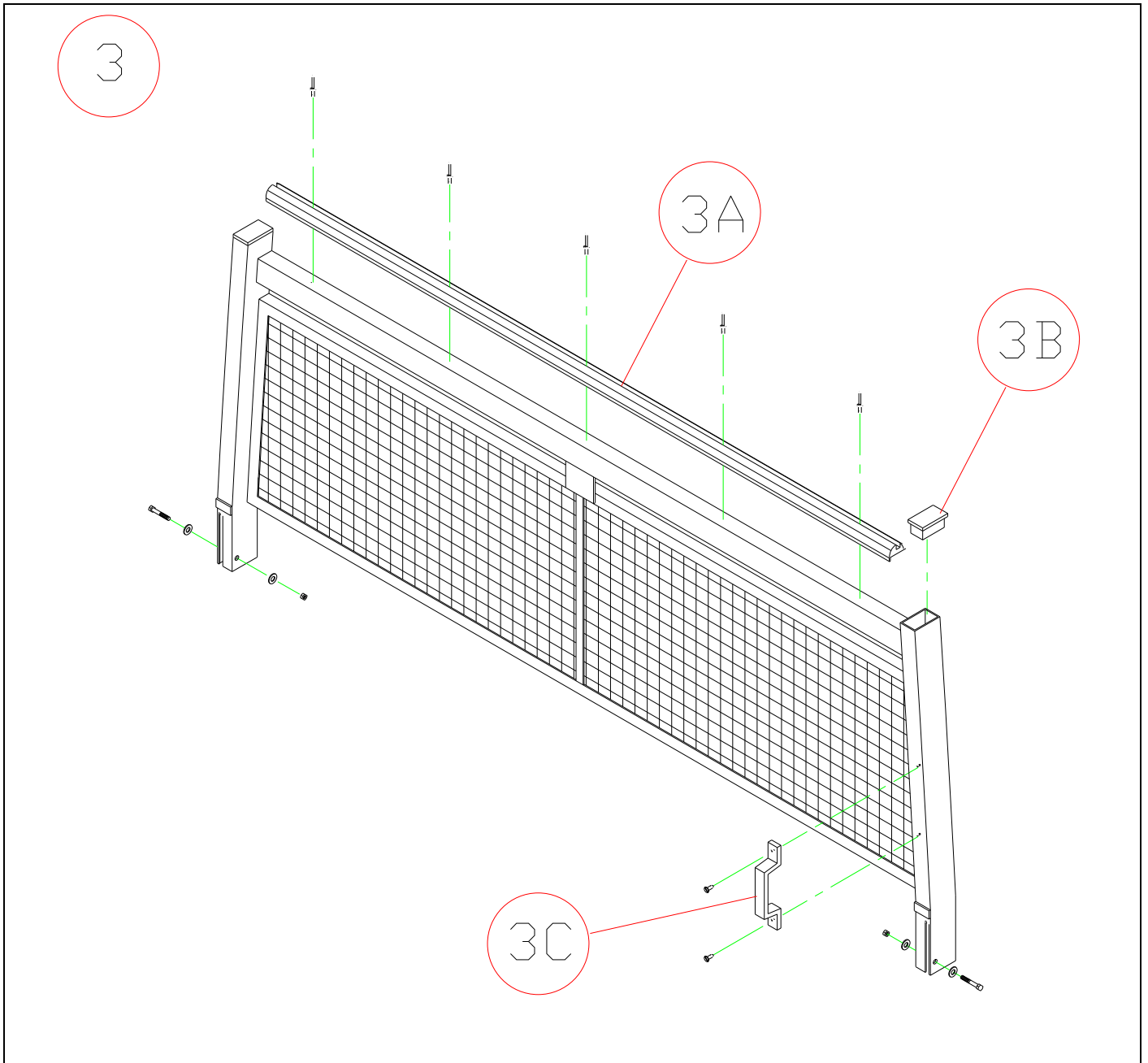


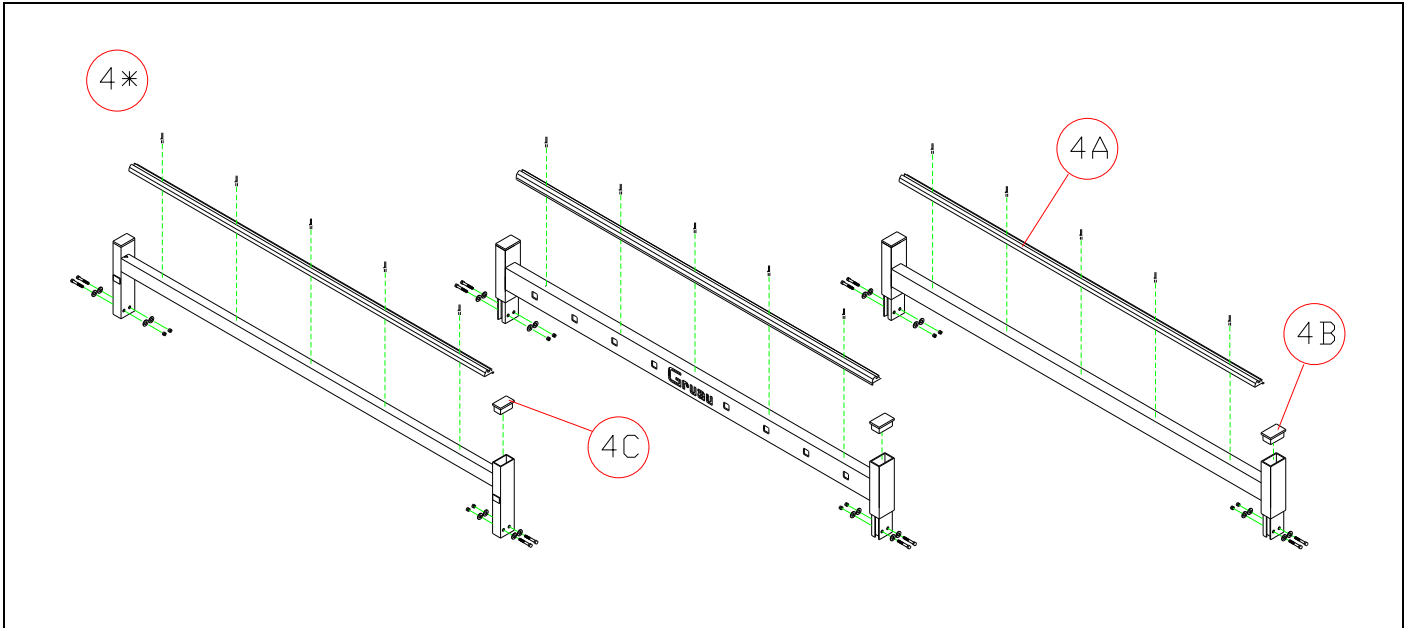


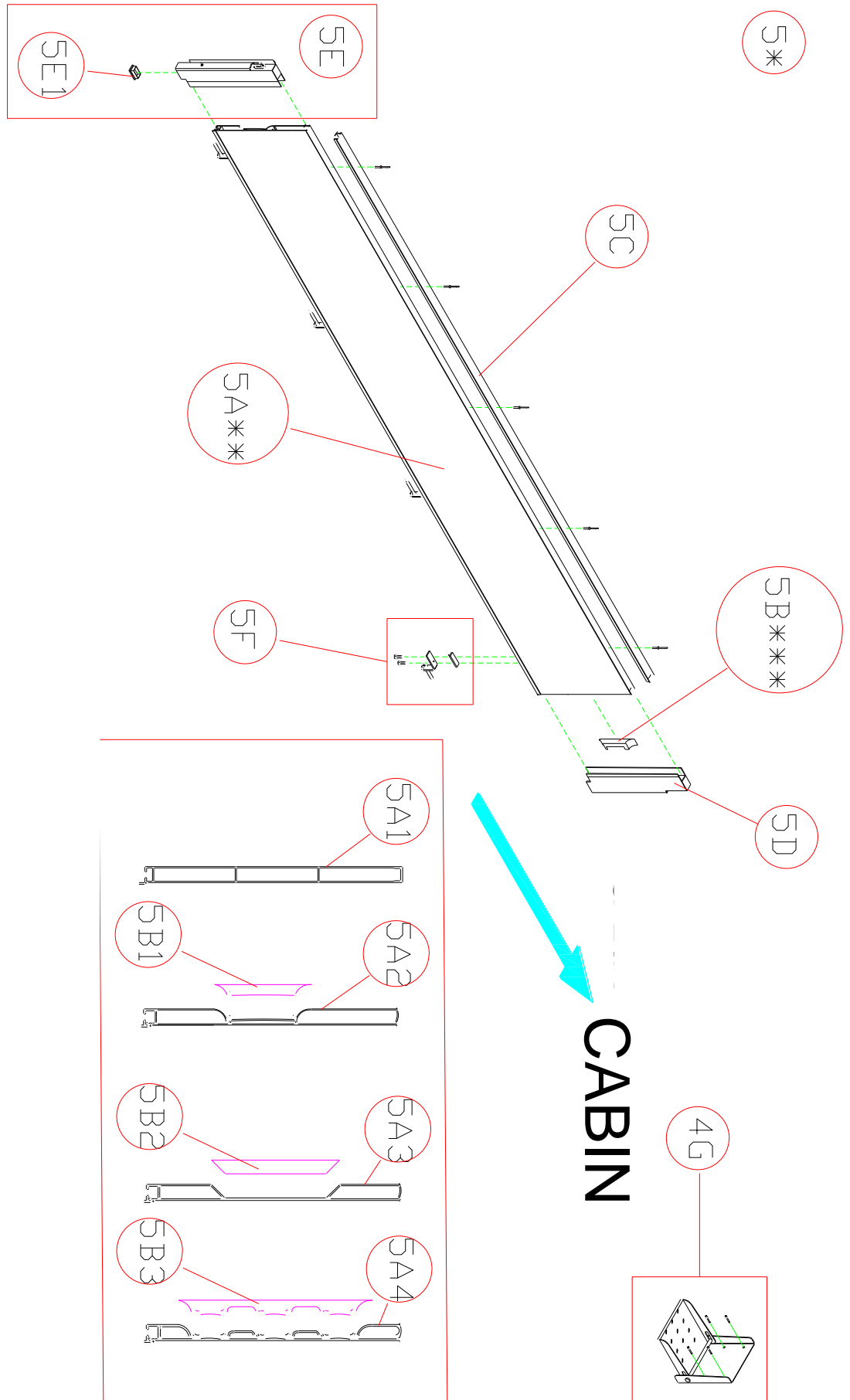
**SPARE PARTS  
CATALOGUE FOR  
THREE-SIDE TIPPER  
“TIPPER 3” AND  
“EUROKIPPER 3”  
SPECIAL**

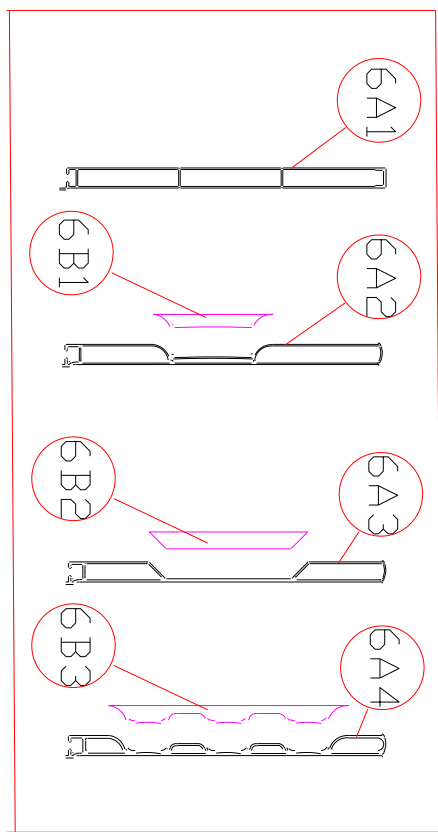
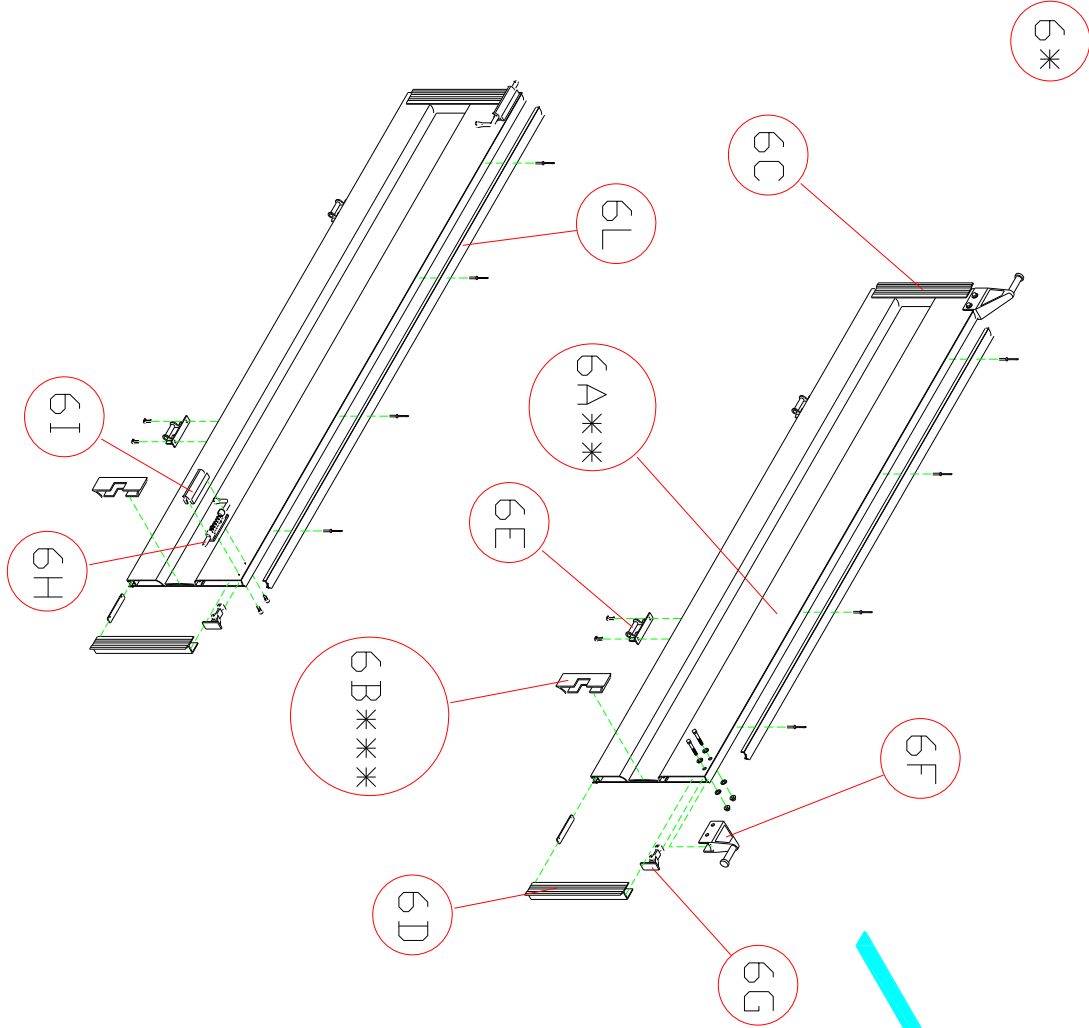












**CABIN**

7

